



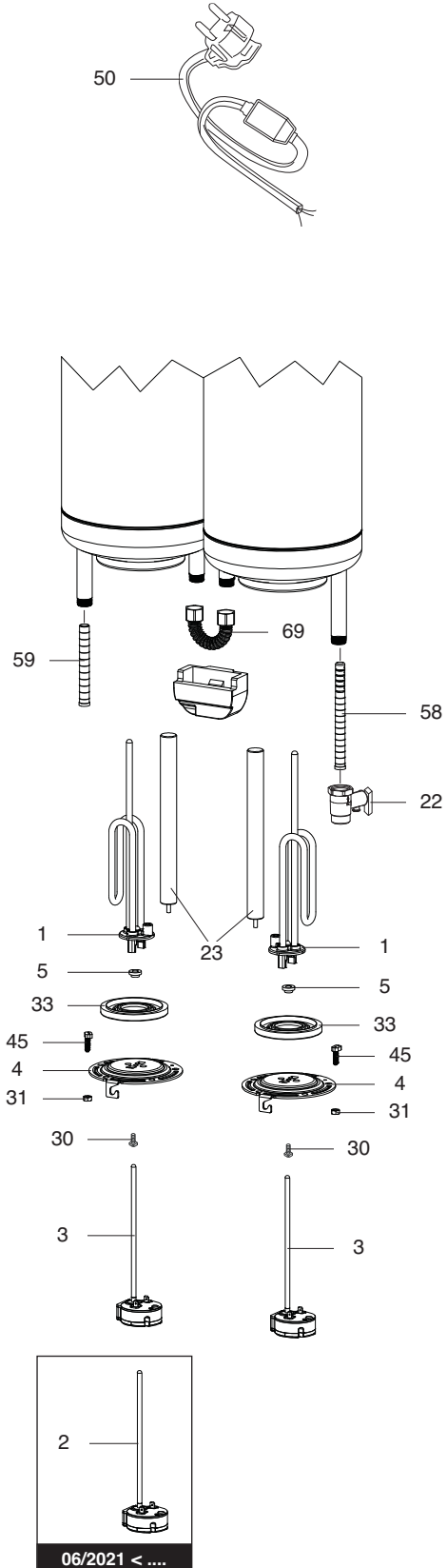
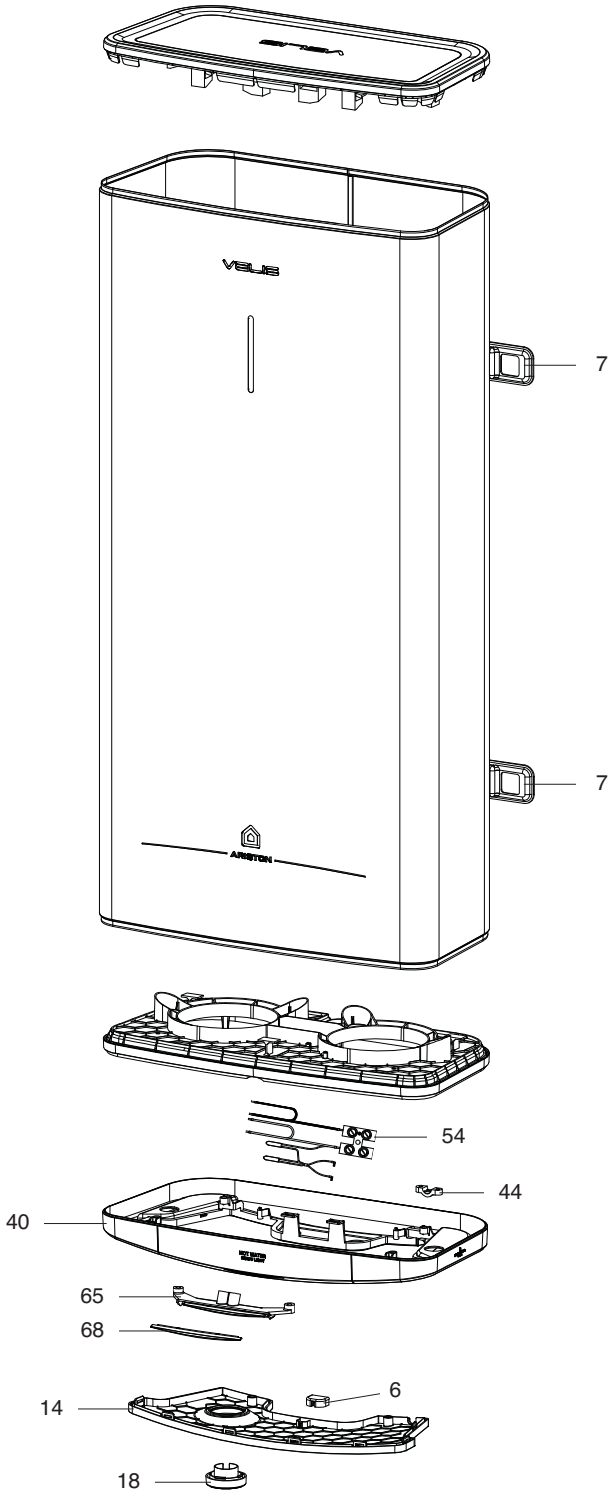
SPARE PARTS EXPLODED VIEW
STORAGE ELECTRIC WATER HEATERS
Model
ABS VLS PRO INOX R

R8218952-01 - 20/12/2022

ABS VLS PRO INOX R

Storage Electric Water Heaters

1	3700685	ABS VLS PRO INOX R 30	04-2021	-
2	3700686	ABS VLS PRO INOX R 50	04-2021	-
3	3700687	ABS VLS PRO INOX R 80	04-2021	-
4	3700688	ABS VLS PRO INOX R 100	04-2021	-
Col	Reference	Model type	Begin	End



06/2021 <

ABS VLS INOX R 30
 ABS VLS INOX R 50
 ABS VLS INOX R 80
 ABS VLS INOX R 100

31

☉⇒	Description	Manf. Pt. N	Type																			From	to
				1	2	3	4	5	6	7	8	9	10	11	12	13	14	15	16	17	18		
0001	НАГРЕВАТЕЛЬНЫЙ ЭЛЕМЕНТ 1000W 220-240V	65120782		●	●	●	●																
0002	ТЕРМОСТАТ	65122225		●	●	●	●													06/21			
0003	ТЕРМОСТАТ	65117771		●	●	●	●																
0004	ФЛАНЕЦ (5 БОЛТОВ)	65180159		●	●	●	●																
0005	ШАЙБА ПЛАСТИКОВАЯ	65180158		●	●	●	●																
0006	ВОДОЗАЩИТНЫЙ КОЛПАК	65180442		●	●	●	●																
0007	КРОНШТЕЙН	65152905		●	●	●	●																
0014	КРЫШКА ПЛАСТИКОВАЯ	65180454		●	●	●	●																
0018	РУЧКА РЕГУЛИРОВКИ	65180455		●	●	●	●																
0022	ПРЕДОХРАНИТЕЛЬНЫЙ КЛАПАН (1/2" 6 БАР)	65151712		●	●	●	●																
0023	МАГНИЕВЫЙ АНОД D:21,3 L:180 M5	65180015		●	●	●	●																
0030	ВИНТ М6Х12	993000		●	●	●	●																
0031	ГАЙКА М6	994140		●	●	●	●																
0033	ПРОКЛАДКА ФЛАНЦА	65111788		●	●	●	●																
0040	КРЫШКА ПЛАСТИКОВАЯ НИЖНЯЯ	65180452		●	●	●	●																
0044	ЗАЖИМ ДЛЯ КАБЕЛЯ	573266		●	●	●	●																
0045	ВИНТ М6Х20	65151225		●	●	●	●																
0050	КАБЕЛЬ ПИТАНИЯ С УЗО (16А 1,0м)	65150965		●	●	●	●																
0054	КОМПЛЕКТ ПРОВОДОВ	65120783		●	●	●	●																
0058	РАССЕКATEЛЬ ВОДЫ (1/2" Н=159)	65152176		●	●	●	●																
0059	РАССЕКATEЛЬ ВОДЫ (1/2" Н=100)	65152177		●	●	●	●																
0065	СВЕТОВОД	65180453		●	●	●	●																
0068	LED ИНДИКАТОР	65180449		●	●	●	●																
0069	ТРУБКА СОЕДИНИТЕЛЬНАЯ	65152492		●	●	●	●																

LIST OF THE ABBREVIATIONS

HW	: Hot water.
CW	: Cold water.
C	: Ceramic resistance (normal heating).
Ca	: Ceramic resistance (accelerated heating)
TP	: Immersion heater.
1F	: With fittings.
2F	: Without fittings.
3F	: With fittings and another outlet connection.
AMI	: With mixing valve.
SMI	: Without mixing valve.
PUISS	: Power of th appliance.
PN	: Appliance with normal pression.
LP	: Appliance with low pression.
PV	: Appliance with variable power.
PF	: Appliance with fixed power.

IDENTIFICATION PLATE

SERIAL NUMBER

6 Characters :
 Year of manufacture 03 09 08 Manufacturing day
 Month of manufacture

9 Characters :
 Year of manufacture 5 9 12 0606 Sequential number
 Month of manufacture

14 Characters :
 SI-V-0B0 45 07 0001
 Sequential number
 Year of manufacture : → 6 → 2004
 Month of manufacture : → 25 → January 43 → July 7 → 2005
 13 → February 29 → August 8 → 2006
 32 → March 40 → September etc ...
 35 → April 38 → October
 39 → May 51 → November
 45 → June 12 → December
 Product model

14 Characters :
 111518 XX 000010
 Month of manufacture Sequential number
 Day of manufacture Year of manufacture

15 Characters :
 02 11 00001 007843
 Year of manufacture Product reference
 Month of manufacture Sequential number

21 Characters :
 3200050 XX 08115 0000001
 Product reference Sequential number
 Year (08) / Manufacturing day (115)

22 Characters :
 3200050 XX 070115 0000001
 Product reference Sequential number
 Year (07) / Month (01) / Manufacturing day (15)